

*September 27, 2021*

*Ms. Lee Pavone  
Senior Engineer  
Yonkers Public Schools  
1 Larkin Plaza  
Yonkers, NY 10701*

*Mr. Pavone:*

*Thank you for this opportunity to quote on some of your Window Covering requirements.*

*I have examined the windows in Rooms 1, 2A, @B, 3, 4, 5, 6, 7, 108, 109, 110, 111, 112, the room between 112 and 113, 113, 114, 114A, 211, 212, 212A, and 213 at your Cross Hill Academy and find that you will require a total of 85 Draper Clutch Roller Shades. Fabric to be utilized will be Draper's SB9000. An inherently fire-resistant opaque vinyl shade cloth. For the sum of \$16,445.00 we hereby offer to supply and install the same complete.*

***These services are available from us on Southern Westchester BOCES Bid 2019-20-C09, Item P3, Draper Window Shades. Should you decide to proceed a BOCES Breakdown will be provided.***

*Pricing is based on Prevailing Wage Installation Rates. Upon complete of this project Certified Payroll Reports will be supplied.*

*I sincerely hope that we may be of service to you in this matter.*

*Very truly yours,  
Sal Barbera*

October 25, 2021

Ms. Lee Pavone  
Senior Engineer  
Yonkers Public Schools  
1 Larkin Plaza  
Yonkers, NY 10701

Mr. Pavone:

Thank you for this opportunity to quote on some of your Window Covering requirements.

I have examined the windows in Rooms 1, 2A, @B, 3, 4, 5, 6, 7, 108, 109, 110, 111, 112, the room between 112 and 113, 113, 114, 114A, 211, 212, 212A, and 213 at your Cross Hill Academy and find that you will require a total of 85 Draper Clutch Roller Shades. Fabric to be utilized will be Draper's SB9000. An inherently fire-resistant opaque vinyl shade cloth. For the sum of \$16,336.75 we hereby offer to supply and install the same complete.

**These services are available from us on Southern Westchester BOCES Bid 2019-20-C09, Item P3, Draper Window Shades. Should you decide to proceed a BOCES Breakdown will be provided.**

**BOCES Breakdown:**

1 @ upto 54"w x 36"h = \$142.00  
1 @ upto 84"w x 36"h = \$219.00  
@ upto 132"w x 42"h = \$437.00  
27 @ upto 45"w x 42"h = 27 @ \$138.00 = \$3,726.00  
1 @ upto 36"w x 42"h = \$119.00  
7 @ upto 45"w x 90"h = 7 @ \$185.00 = \$1,295.00  
28 @ upto 80"w x 90"h = 28 @ \$344.00 = \$9,632.00  
11 @ upto 84"w x 78"h = 11 @ \$317.00 = \$3,487.00  
8 @ upto 45"w x 78"h = 8 @ \$174.00 = \$1,392.00  
Total BOCES List Price = \$20,449.00  
Minus BOCES Discount (25%) = - \$5,112.25  
Total BOCES Material Price = \$15,336.75  
**Plus Prevailing Wage Labor = \$1,000.00**  
Total Net Installed Price = \$16,336.75

**Pricing is based on Prevailing Wage Installation Rates. Upon complete of this project Certified Payroll Reports will be supplied.**

I sincerely hope that we may be of service to you in this matter.

Very truly yours,  
Sal Barbera

Office and Classroom Furniture  
 2019-20-C09

P3	Draper (Window Treatments)	AT Equipment	25.00	500.00					5 year	30-60	2020	Y
P4	Frankel	AT Equipment	35.00	500.00					1 year	60	2020	Y
P5	Kirsch	No Bid										
P6	Levolor (Contract order only)(25+)	AT Equipment	5.00	500.00					1 year	30-60	2020	Y
P7	Midwest Folding (Risers & Portable Stages)	No Bid										
P8	Nat'l Public Seating (Risers and Portable Stages)	WB Mason	44.10	500.00	10	18	18	25 year	30-60	2/21/2020	2020	Y
P9	Sico (Risers and Portable Stages)	AT Equipment	22.00	1,500.00	15	25	8	15 year	60	2020	2020	Y
<b>Category Q:</b>												
<b>Storage/Shelving</b>												
Q1	ASI Specialties	AT Equipment	10.00	1,000.00	15	20	10	1 year	30-60	2020	2020	Y
Q2	Edsal	No Bid										
Q3	Fleetwood	Nickerson	15.50	1,000.00	15	15	10	25 years	45-60	2020	2020	Y
Q4	Ironwood Manufacturing	WB Mason	38.50	500.00	10	10	20	Limited Lifetime	15-25	2020	2020	Y
Q5	Lyon Metal	Young	8.00	300.00	15	20	10	Lifetime	60-90	1/1/2020	2020	Y
Q6	Nexel Storage	AT Equipment	10.00	500.00	15	25	10	1 year	30-60	2020	2020	Y
Q7	Penco	Hertz	47.00	1,000.00	15	15	20	1 year	35-50	2018	2018	Y
Q8	Safco	WB Mason	54.20	300.00	10	10	12	Lifetime	35	4/1/2020	2020	Y
Q9	Sandusky Lee	WB Mason	55.10	500.00	12	21	16	Lifetime	35	7/10/2019	2019	Y
Q10	Tenneco	WB Mason	48.00	500.00	11.4	21	10	Limited Lifetime	35	2/1/2020	2020	Y
<b>Category R:</b>												
<b>Miscellaneous</b>												

Office and Classroom Furniture  
 2019-20-C09

OFFICE & CLASSROOM FURNITURE		Vendor	Percentage from Manufacturer's List Price	Minimum Order (\$)	Inside Delivery Category One (%)	Inside Delivery Category Two (%)	Per Flight of Stairs (%)	Manufacturer's Warranty	Delivery Time ( In Calendar days)	Price List Date	Is price list available electronically? Y/N
<b>Category A: Classroom Furniture</b>											
A1	Academia	Hertz	67.00	500.00	10	15	12	Limited Lifetime	20-30	2020	Y
A2	Artco Bell	No Bid	-								
A3	Capitol Seating Company	Young	38.00	850.00	10	15	5	Lifetime	30-120	3/1/2020	Y
A4	Classroom Select	School Specialty	14.00	500.00	10	20	20	Limited Lifetime	30	2020	Y
A5	Columbia	WB Mason	56.80	300.00	9.5	16.5	7	10 years	45	2/1/2020	Y
A6	Fomcore	AT Equipment	20.00	1,000.00	10	15	7	1 year	60-90	2020	Y
A7	Izzy +	No Bid	-								
A8	KI (Kreuger International)	No Bid	-								
A9	Norva Nivel	WB Mason	54.00	N/A	10	18	18	10 years	7-30	5/15/2020	Y
A10	Palmieri	No Bid	-								
A11	Royal Seating	School Specialty	14.00	500.00	10	20	20	Limited Lifetime	30	2020	Y
A12	Saffe Furniture	AT Equipment	20.00	1,000.00	10	15	7	1 year	30-45	2020	Y
A13	Scholar Craft Products, Inc.	WB Mason	34.00	500.00	15	25	0	10 years	30-45	4/20/2020	Y
A14	Smith Systems	School Specialty	34.00	500.00	10	20	20	5 years	30-60	2020	Y
A15	Virco Mfg.	Virco	62.00	100.00	20	40	5		2-8 weeks	1/1/2020	Y
<b>Category B: Casework</b>											

Office and Classroom Furniture  
 2019-20-C09

OFFICE & CLASSROOM FURNITURE		Vendor	Percentage from Manufacturer's List Price	Minimum Order (\$)	Inside Delivery Category One (%)	Inside Delivery Category Two (%)	Per Flight of Stairs (%)	Manufacturer's Warranty	Delivery Time ( In Calendar days)	Price List Date	Is price list available electronically? Y/N
B1	ACS Casework	No Bid	-								
B2	BMC Labs	No Bid	-								
B3	BCI Library	HNE	25.00	1,000.00				1-10 years	120	2020	Y
B4	Cabinets by Design	No Bid	-								
B5	Campbell Rhea/Mohom	Nickerson	15.00	5,000.00				3 years	60-120	9/25/2019	Y
B6	Champion Millwork	No Bid	-								
B7	Diversified Woodcrafts - Catalog Furniture	Young	51.50	2,000.00				Lifetime	45-60	1/1/2020	Y
B8	HLF Furniture	AT Equipment	29.00	1,000.00				1 year	30-60	2020	Y
B9	Labscape	Longo	36.00	20,000.00				1 year	120	2019	Y
B10	Leonard Peterson	HNE	12.00	1,000.00				2-25 years	60-120	2020	Y
B11	LSI	No Bid	-								
B12	Sheldon	Longo	36.00	20,000.00				1 year	120	2019	Y
B13	Stevens	No Bid	-								
B14	TMI Systems	HNE	25.00	1,000.00				1-10 years	60-120	2020	Y
B15	Wisconsin Bench	Nickerson	51.00	1,000.00				Lifetime	30-60	2020	Y
	<b>Category C: Library Furniture</b>										

Bid Award

**Office and Classroom Furniture  
 2019-20-C09**

<b>OFFICE &amp; CLASSROOM FURNITURE</b>		<b>Vendor</b>	<b>Percentage from Manufacturer's List Price</b>	<b>Minimum Order (\$)</b>	<b>Inside Delivery Category One (%)</b>	<b>Inside Delivery Category Two (%)</b>	<b>Per Flight of Stairs (%)</b>	<b>Manufacturer's Warranty</b>	<b>Delivery Time ( In Calendar days)</b>	<b>Price List Date</b>	<b>Is price list available electronically? Y/N</b>
<b>C1</b>	Bretford	No Bid	-								
<b>C2</b>	Brodart	School Specialty	46.00	500.00	10	20	20	varies	2-6 weeks	2020	Y
<b>C3</b>	LIAT (Formerly Jasper)	McHugh	48.00	1,000.00	15	15	5	20 years	60	2020	Y
<b>C4</b>	Paladin	HNE	16.00	1,000.00	15	15	5	5-10 years	60-120	2020	Y
<b>C5</b>	Russwood	No Bid	-								
<b>C6</b>	Silver Street (Media Technologies)	Young	18.00	500.00	15	20	10	5 Years	30-120	3/1/2020	Y
<b>C7</b>	Tec Educational Furniture	No Bid	-								
<b>C8</b>	Tesco Library Furniture	WB Mason	18.10	1,000.00	15	15	5	5	60	11/1/2019	Y
<b>C9</b>	Worden	Nickerson	49.00	7,500.00	25	30	10	10 years	60-120	May-17	Y
<b>Category D: Computer Furniture/ Charging Carts</b>											
<b>D1</b>	Balt, Inc.	WB Mason	54.10	500.00	15	22	12	multiple	30	5/14/2020	Y
<b>D2</b>	Bretford Technology	School Specialty	38.00	500.00	10	20	20	varies	30	2020	Y
<b>D3</b>	Ergotron	CDI (Troxell)	6.50	100.00	Call for quote	Call for quote	Call for quote	5 years	7-30	10/1/2016	Y
<b>D4</b>	Lock 'n Charge	CDI (Troxell)	12.00	100.00	Call for quote	Call for quote	Call for quote	Lifetime	7-30	11/1/2016	Y
<b>D5</b>	Bio Fit	No Bid	-								
<b>D6</b>	Da-lite	CDI (Troxell)	12.00	100.00	Call for quote	Call for quote	Call for quote	1 year	7-30	1/1/2016	Y

**Bid Award**

**Office and Classroom Furniture  
 2019-20-C09**

OFFICE & CLASSROOM FURNITURE		Vendor	Percentage from Manufacturer's List Price	Minimum Order (\$)	Inside Delivery Category One (%)	Inside Delivery Category Two (%)	Per Flight of Stairs (%)	Manufacturer's Warranty	Delivery Time ( In Calendar days)	Price List Date	Is price list available electronically? Y/N
D7	Datum	WB Mason	38.00	500.00	19	33	12	5 years	60	7/1/2018	Y
D8	Luxor	CDI (Troxell)	35.00	100.00	Call for quote	Call for quote	Call for quote	Lifetime	7-30	1/1/2016	Y
D9	Copernicus	WB Mason	41.00	500.00	10	18	17	5 years	25	2020	Y
D10	Grafco, Inc.	AT Equipment	25.00	500.00	25	10	10	5 year	30-60	2020	Y
D11	Interior Concepts	AT Equipment	35.00	1,000.00	10	20	5	1 year	60-90	2020	Y
D12	Oklahoma Sound	WB Mason	45.20	500.00	10	19	19.5	2 years	30	2/21/2020	Y
D13	Nova	No Bid	-								
D14	Sandusky Lee	WB Mason	55.10	500.00	12	21	16	Lifetime	35	4/1/2020	Y
D15	Smith Systems	School Specialty	35.00	500.00	10	20	20	5 year	30-60	2020	Y
<b>Category E: Office Furniture</b>											
E1	Abco Office Furniture	No Bid	-								
E2	All Seating	No Bid	-								
E3	Compel Office Furniture	WB Mason	42.00	600.00	20	25	10	Limited Lifetime	5-15	4/1/2020	Y
E4	Design Line	Furniture Pro	35.00	1,000.00	20	25	10	Limited Lifetime	10-60	2020	Y
E5	Erg International	No Bid	-								
E6	Ergotron	CDI (Troxell)	6.50	100.00	Call for quote	Call for quote	Call for quote	5 years	7-30	10/1/2016	Y

**Bid Award**

Office and Classroom Furniture  
 2019-20-C09

OFFICE & CLASSROOM FURNITURE		Vendor	Percentage from Manufacturer's List Price	Minimum Order (\$)	Inside Delivery Category One (%)	Inside Delivery Category Two (%)	Per Flight of Stairs (%)	Manufacturer's Warranty	Delivery Time ( In Calendar days)	Price List Date	Is price list available electronically? Y/N
E7	Fireking	WB Mason	48.20	200.00	15	27	15	5 years	25	1/1/2020	Y
E8	Fixtures Furniture	No Bid	-								
E9	Global Furniture	WB Mason	58.20	250.00	10	14	10	3 years	45	5/1/2020	Y
E10	Groupe LaCasse	Furniture Pro	40.00	1,000.00	20	25	10	Limited Lifetime	15-60	2020	Y
E11	Highpoint	WB Mason	59.20	400.00	10	19.5	9.5	10 years	50	2020	Y
E12	HON	WB Mason	64.10	N/A	10	15	10	Limited Lifetime	15-60	1/1/2020	Y
E13	HON Quick Ship	WB Mason	60.70	N/A	6	11	9	Lifetime	15	1/1/2020	Y
E14	Humanscale	WB Mason	45.00	150.00	10	19	11	15 years	30	5/18/2020	Y
E15	Mayline	WB Mason	56.00	N/A	8	14	8	Limited Lifetime	30-60	4/1/2020	Y
E16	Norsons	Furniture Pro	32.00	1,000.00	18	20	10	Limited Lifetime	3-20	2020	Y
E17	Phoenix Safe Internat'l	WB Mason	16.50	500.00	15	20	15	1 year	30-60	1/1/2019	Y
E18	RGS Furniture	WB Mason	18.00	200.00	15	20	15	2 years	40	2020	Y
E19	Screenflex Panel Systems	No Bid	-								
E20	Safco	School Specialty	35.00	400.00	10	20	20	Limited Lifetime	2-6 weeks	2020	Y
E21	Sandusky Lee	No Bid	-								
E22	Seating, Inc.	Furniture Pro	45.00	1,000.00	18	20	10	Limited Lifetimw	20-30	2020	Y

Bid Award



Office and Classroom Furniture  
 2019-20-C09

OFFICE & CLASSROOM FURNITURE		Vendor	Percentage from Manufacturer's List Price	Minimum Order (\$)	Inside Delivery Category One (%)	Inside Delivery Category Two (%)	Per Flight of Stairs (%)	Manufacturer's Warranty	Delivery Time ( In Calendar days)	Price List Date	Is price list available electronically? Y/N
E23	Swiftspace	No Bid	-								
E24	Varidesk	No Bid	-								
<b>Category F: Early Childhood/Kindergarten</b>											
F1	Bird In Hand	School Specialty	14.00	500.00	10	20	20	Lifetime Limited	10-60	2020	Y
F2	Carpets for Kids	WB Mason	30.00	500.00	10	20	20	5 years	20	2020	Y
F3	Copernicus	WB Mason	41.00	500.00	10	18	17	5 years	25	2020	Y
F4	Fleetwood	Nickerson	15.50	1,000.00	15	15	10	25 years	45-60	2020	Y
F5	Jonti-Craft	WB Mason	38.50	450.00	10	19	12	Lifetime	40	2020	Y
F6	Joy Carpets	School Specialty	27.00	500.00	10	20	20	varies	2-6 weeks	2020	Y
F7	Mahar Manufacturing	No Bid	-								
F9	Wood Designs	WB Mason	33.00	500.00	10	14	10	Limited Lifetime	30-45	2020	Y
<b>Category G: Tables &amp; Chairs</b>											
G1	AmTab Manufacturing	HNE	20.00	500.00	20	20	10	10 year	40-90	2020	Y
G2	McCourt Manufacturing folding Tables	No Bid	-								
G3	MidWest Folding Products	No Bid	-								
G4	Mity-Lite	WB Mason	38.20	600.00	10	20	10	5 years	30-90	2020	Y
G5	National Public Seating (Folding Chairs)	WB Mason	44.10	500.00	10	18	18	25 years	30-60	2/21/2020	Y

Bid Award

Office and Classroom Furniture  
 2019-20-C09

OFFICE & CLASSROOM FURNITURE		Vendor	Percentage from Manufacturer's List Price	Minimum Order (\$)	Inside Delivery Category One (%)	Inside Delivery Category Two (%)	Per Flight of Stairs (%)	Manufacturer's Warranty	Delivery Time ( In Calendar days)	Price List Date	Is price list available electronically? Y/N
G6	Southern Aluminum - Lightweight Tables	No Bid	-								
G7	Special T	No Bid	-								
<b>Category H: Cafeteria</b>											
H1	ISI Interior Systems America	AT Equipment	25.00	1,000.00	15	25	10	5 year	45-60	2020	Y
H2	KI (Kreuger International)	No Bid	-								
H3	McCourt Manufacturing Folding Tables	No Bid	-								
H4	Midwest Folding Products	No Bid	-								
H5	Mitchell	No Bid	-								
H6	Palmer Hamilton	Nickerson	40.50	1,500.00	15	25	10	varies	60-90	2019-2020	Y
H7	SICO Incorporated	AT Equipment	20.00	1,850.00	15	15	15	15 year	60	2020	Y
<b>Category I: Presentation Products - Message Boards, White Boards, Lecturns, Signage &amp; Display</b>											
I1	Aarco Products, Inc.	HNE	20.00	1,000.00	15	10	10	1-10 years	30-120	2019	Y
I2	ASP Presentation	AT Equipment	10.00	1,000.00	15	25	12	10 year	45-60	2020	Y
I3	Best-Rite Manufacturing	WB Mason	54.10	500.00	15	22	12	multiple	30	5/14/2020	Y
I4	Claridge	HNE	25.00	750.00	15	10	10	1-10 year	10-60	2020	Y
I5	Copernicus Technology	WB Mason	41.00	500.00	10	18	17	5 years	25	2020	Y
I6	Da-Lite	CDI (Troxell)	12.00	100.00	Call for quote	Call for quote	Call for quote	1 Year powerstrip	7-30	4/1/2020	Y
I7	Draper Presentation Products	Nickerson	1.00	1,500.00	15	20	10	1 year	20-60	4/6/2020	Y

Bid Award

Office and Classroom Furniture  
 2019-20-C09

OFFICE & CLASSROOM FURNITURE		Vendor	Percentage from Manufacturer's List Price	Minimum Order (\$)	Inside Delivery Category One (%)	Inside Delivery Category Two (%)	Per Flight of Stairs (%)	Manufacturer's Warranty	Delivery Time ( In Calendar days)	Price List Date	Is price list available electronically? Y/N
I8	Ghent Manufacturing	WB Mason	53.30	500.00	9.5	19	16.5	10 years	35	4/21/2020	Y
I9	Marsh Industries, Inc.	WB Mason	16.70	750.00	15	10	5	50 years	30-60	2020	Y
I10	Oklahoma Sound	WB Mason	45.20	500.00	10	19	19.5	2 years	30	2/21/2020	Y
I11	Waddell	WB Mason	44.10	500.00	9.5	19	19	1 year	30	4/21/2020	Y
<b>Category J: Lockers</b>											
J1	Art Metal Products	Nickerson	16.00	2,000.00				1 year	60-120	2018-2019	Y
J2	ASI Lockers	AT Equipment	15.00	1,000.00				1 year	15-120	2020	Y
J3	DeBourgh Manufacturing	McHugh	21.00	1,000.00				Lifetime	60-70	2019	Y
J4	Hallowell	No Bid	-								
J5	Lincora Lockers	HNE	20.00	1,000.00				1 year	75-90	2020	Y
J6	List Industries	Nickerson	16.00	2,000.00				1 year	60-120	2018	Y
J7	Lyons Metal	Young	8.00								
J8	Penco	Hertz	47.00	1,000.00				1 year	35-50	2016	Y
J9	Perfix Lockers	WB Mason	22.00	1,000.00				1 year	60	2019	Y
J10	Republic Storage Systems	AT Equipment	15.00	1,000.00				1 year	90-120	2020	Y
J11	Tennsco	WB Mason	48.00	500.00				Limited Lifetime	35	2/1/2020	Y
<b>Category K: Bleachers &amp; Stadium Seating (Indoor/outdoor)</b>											

Office and Classroom Furniture  
 2019-20-C09

OFFICE & CLASSROOM FURNITURE		Vendor	Percentage from Manufacturer's List Price	Minimum Order (\$)	Inside Delivery Category One (%)	Inside Delivery Category Two (%)	Per Flight of Stairs (%)	Manufacturer's Warranty	Delivery Time ( In Calendar days)	Price List Date	Is price list available electronically? Y/N
K1	GT Grandstands	Young	10.00	1,500.00				5 years	60	1/1/2020	Y
K2	Gared	AT Equipment	5.00	1,000.00				1 year	15-60	2020	Y
K3	Hussey	Nickerson	45.00	5,000.00				2 years	90-120	2019	Y
K4	Interkal	Young	10.00	2,500.00				1 year	120	1/1/2020	Y
K5	Irwin Telescopic	McHugh	39.00	1,000.00				5 years	90-120	2020-2022	Y
K6	Jay-Pro	Nickerson	3.10	1,500.00				1 year	30-90	2/1/2020	Y
K7	Sheridan	Acme Stage	16.00	5,500.00				5-10 year	90-120	2018	Y
K8	Southern Bleacher Co.	No Bid	-								
K9	Sturdi-Steel	Nickerson	18.00	5,000.00				2 years	90-120	2015	Y
	<b>Category L: Auditorium Seating</b>										
L1	American Seating	No Bid	-								
L2	Davis Furniture Company	No Bid	-								
L3	First Class Seating	HNE	14.00	2,500.00				5 years	90-120	2020	Y
L4	Hussey Seating	Nickerson	45.00	5,000.00				2 years	90-120	2019	Y
L5	Irwin Seating	McHugh	35.00	1,000.00				5 years	60-70	2020-2022	Y
L6	Seating Concepts	No Bid	-								

Bid Award

Office and Classroom Furniture  
 2019-20-C09

OFFICE & CLASSROOM FURNITURE		Vendor	Percentage from Manufacturer's List Price	Minimum Order (\$)	Inside Delivery Category One (%)	Inside Delivery Category Two (%)	Per Flight of Stairs (%)	Manufacturer's Warranty	Delivery Time ( In Calendar days)	Price List Date	Is price list available electronically? Y/N
L7	Steadfast Seating	Young	10.00	400.00				25 years	90	1/1/2020	Y
<b>Category M: Vocational Furnishings</b>											
M1	Edsel	No Bid	-								
M2	Diversified Woodcrafts	School Specialty	50.00	2,000.00	10	20	20	Limited Lifetime	2-8 weeks	2020	Y
M3	Fleetwood	Nickerson	15.50	1,000.00	15	15	10	25 years	45-60	2020	Y
M4	Hann Manufacturing, Inc.	AT Equipment	25.00	1,000.00	15	22	5	5 year	30-60	2020	Y
M5	Safco	WB Mason	54.20	300.00	10	10	12	Lifetime	35	4/1/2020	Y
M6	Shain Shop-Bilt, Inc.	No Bid	-								
M7	Stevens Industries	No Bid	-								
<b>Category N: Athletic Equipment</b>											
N1	All American	Young	3.00	1,000.00				5 years	30-45	1/1/2020	Y
N2	Daktronics	Daktronics	10.00	3,000.00				5 year parts	8 weeks	2020	N
N3	Draper	Nickerson	23.00	2,000.00				1 year	30-90	2018-2019	Y
N4	Fairplay	No Bid	-								
N5	Gared	AT Equipment	5.00	500.00				1 year	5-60	2020	Y
N6	Jaypro	Nickerson	3.10	1,500.00				1 year	30-90	2/1/2020	Y

Bid Award

Office and Classroom Furniture  
 2019-20-C09

OFFICE & CLASSROOM FURNITURE		Vendor	Percentage from Manufacturer's List Price	Minimum Order (\$)	Inside Delivery Category One (%)	Inside Delivery Category Two (%)	Per Flight of Stairs (%)	Manufacturer's Warranty	Delivery Time ( In Calendar days)	Price List Date	Is price list available electronically? Y/N
N7	Mancino Mfg. (Gym mats)	AT Equipment	10.00	500.00				1 year	30-60	2020	Y
N8	NCI Gym Pads	AT Equipment	10.00	500.00				1 year	30-60	2020	Y
N9	Nevco Scoreboards	Nickerson	25.00	2,000.00				1 year	60-120	Oct. 2019	Y
N10	Performance Sports	Acme Stage	12.00	500.00				1 year	20-50	2016	Y
N11	Pro Mats	Young	7.00	100.00				1 year	30-45	1/1/2020	Y
N12	Spalding Gym Equipment	Young	3.00	100.00				1 year	30-45	2/1/2020	Y
<b>Category O: Washroom</b>											
O1	American Specialties	AT Equipment	15.00	500.00				1 year	5-45	2020	Y
O2	Bradley Washroom Accessories	Young	15.00	100.00				1 year	30-45	2/1/2020	Y
O3	Global Partitions	AT Equipment	10.00	500.00				1 year	30-45	2020	Y
O4	Knickerbocker Partitions	No Bid	-								
O5	Scranton Products	Young	10.00	100.00				25 years	30-45	1/1/2020	Y
<b>Category P: Stage/Window</b>											
P1	Alta Window Fashions	AT Equipment	5.00	500.00	10	20	5	1 year	21	2020	Y
P2	Amtab	HNE	20.00	500.00				5-10 year	40-90	2020	Y
P3	Draper (Window Treatments)	AT Equipment	25.00	500.00				5 year	30-60	2020	Y
P4	Frankel	AT Equipment	35.00	500.00				1 year	60	2020	Y
P5	Kirsch	No Bid	-								

Bid Award

Office and Classroom Furniture  
 2019-20-C09

OFFICE & CLASSROOM FURNITURE		Vendor	Percentage from Manufacturer's List Price	Minimum Order (\$)	Inside Delivery Category One (%)	Inside Delivery Category Two (%)	Per Flight of Stairs (%)	Manufacturer's Warranty	Delivery Time ( In Calendar days)	Price List Date	Is price list available electronically? Y/N
P6	Levolor (Contract order only)(25+)	AT Equipment	5.00	500.00				1 year	30-60	2020	Y
P7	Midwest Folding (Risers & Portable Stages)	No Bid	-								
P8	Nat'l Public Seating (Risers and Portable Stages)	WB Mason	44.10	500.00	10	18	18	25 year	30-60	2/21/2020	Y
P9	Sico (Risers and Portable Stages)	AT Equipment	22.00	1,500.00	15	25	8	15 year	60	2020	Y
<b>Category Q: Storage/Shelving</b>											
Q1	ASI Specialties	AT Equipment	10.00	1,000.00	15	20	10	1 year	30-60	2020	Y
Q2	Edsal	No Bid	-								
Q3	Fleetwood	Nickerson	15.50	1,000.00	15	15	10	25 years	45-60	2020	Y
Q4	Ironwood Manufacturing	WB Mason	38.50	500.00	10	10	20	Limited Lifetime	15-25	2020	Y
Q5	Lyon Metal	Young	8.00	300.00	15	20	10	Lifetime	60-90	1/1/2020	Y
Q6	Nexel Storage	AT Equipment	10.00	500.00	15	25	10	1 year	30-60	2020	Y
Q7	Penco	Hertz	47.00	1,000.00	15	15	20	1 year	35-50	2018	Y
Q8	Safco	WB Mason	54.20	300.00	10	10	12	Lifetime	35	4/1/2020	Y
Q9	Sandusky Lee	WB Mason	55.10	500.00	12	21	16	Lifetime	35	7/10/2019	Y
Q10	Tennsco	WB Mason	48.00	500.00	11.4	21	10	imited Lifetin	35	2/1/2020	Y

Office and Classroom Furniture  
 2019-20-C09

OFFICE & CLASSROOM FURNITURE	Vendor	Percentage from Manufacturer's List Price	Minimum Order (\$)	Inside Delivery Category One (%)	Inside Delivery Category Two (%)	Per Flight of Stairs (%)	Manufacturer's Warranty	Delivery Time ( In Calendar days)	Price List Date	Is price list available electronically? Y/N
<b>Category R: Miscellaneous</b>										
<b>R1</b> Fleetwood Music Storage	Nickerson	15.50	1,000.00	15	15	10	25 years	45-60	2020	Y
<b>R2</b> Leisure Craft, Inc. (Outdoors)	WB Mason	8.40	4,000.00	10	19	10	limited Lifetin	45-90	2020	Y
<b>R3</b> Ultra Play Systems, Inc.	WB Mason	9.00	875.00	10	15	0	limited Lifetin	30-45	12/16/2020	Y
<b>R4</b> Wisconsin Bench	Nickerson	51.00	1,000.00	10	20	12	Lifetime	30-60	2020	Y
<b>R5</b> Virco	Virco	62.00	100.00	20	40	5		2 weeks	1/1/2020	Y



# Clutch FlexShade®

Medium-duty manually operated window shades.

## FLEXSHADE CLN

### Standards

Minimum 1.5" inch metal tube, with bead chain clutch operator on the right side standard, as seen from the room side. Left side operator available. P Clip included.

- 1" Elliptical aluminum slat inside of 1 5/8" heat-seamed pocket with heat sealed ends. Additional hem options available. See bottom of page 25 for details.
- Brackets for inside, outside or ceiling mounting. Some large shades may require fabric stays at each panel seam at Draper's discretion. Call for details.

### Operating Mechanism Standard (White or Black)

- 20 lb. or 24 lb. bead chain clutch. If Spring Lift Assist is required, it has already been included in pricing below. Clutch mechanism and roller are sized as needed for shade panel lifting requirement.
- Stainless steel chain standard, Ivory, Grey, Black, White or Brown polyester available at no extra charge.
- Fabric attached to roller via LSE adhesive.

### Compliance with ANSI/WCMA A100.1 Safety Standard:

- Pre-installed Spring-Loaded Chain Tension Device (Owl Clip) with Bead Chain threaded through it. **Part No. C504.097.**
- The approved tension device and label are included with each shade. ANSI/WCMA compliance is an option that must be specified at time of order. **\$8.00 upcharge.**
- **When shades are installed in areas where small children will be present, please specify compliance with ANSI.**

See page 3 for more information or on [Draperinc.com](https://www.draperinc.com) at <https://www.draperinc.com/windowshades/wcma-compliance.aspx>

### Options

- Optional square fascia and headbox with endcaps available in two sizes (standard size and larger size to accommodate larger shades). Endcap covers included as standard. If endcap covers are to be excluded, notify Draper at time of quote or order.
- Powder coated textured finish options: Ivory, Charcoal Bronze, White, Black, or Clear Anodized. Fabric wrapped fascia also available. For pricing, multiply the cost of selected fascia times two.

### Battery and 24V Motor Upgrade

Clutch FlexShade can be upgraded to Battery, Recharge, or ST30 DC motors. Add motor upgrade prices starting on page 23 to Clutch FlexShade prices shown on the following pages. Sizes limited, contact Draper for restrictions.

### Crank Upgrade

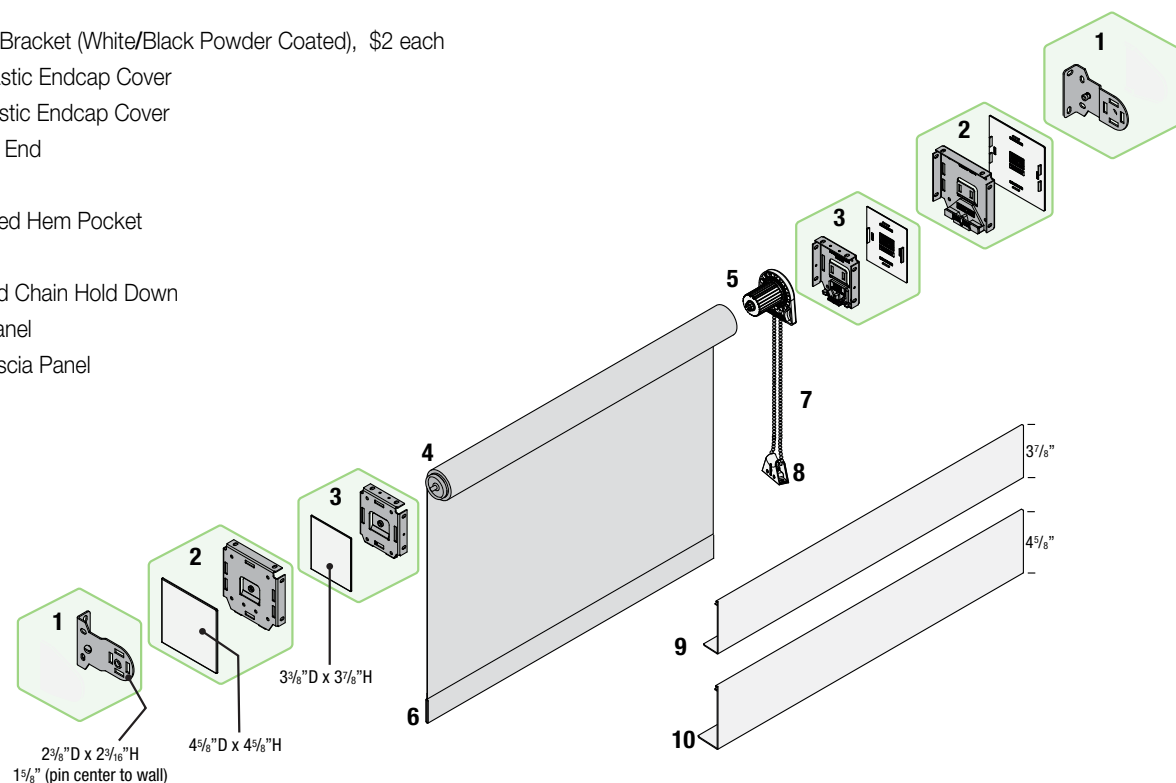
- If fascia/headbox are not required, please add cost for endcaps and Crank/Gearbox. Maximum shade width of 120". See table below for parts and pricing.

Part No.	Item	Price
--	Crank/Gearbox with fixed handle	\$96
--	Crank/Gearbox with no handle	54
--	Detachable crank handle, 72" standard	40
--	Heavy Duty detachable crank handle, 120" max	60
--	Heavy Duty two piece crank handle*, 240" max	120
<i>*Extension permanently mounts to wall. Includes connector for use with detachable crank handle</i>		
C504.142	Replacement P Clip	\$6
C504.097	Spring-loaded Chain tension device—Inhibits operation until locking mechanism is depressed	8
C002.1340	Universal Brackets (black)	\$4 /Pair
C126.077	Bracket Covers (white)	4 /Pair
--	Endcaps instead of brackets—small hardware	10 /Pair
--	Endcaps instead of brackets—large hardware	20 /Pair

## FLEXSHADE CR

### Components:

1. Universal Mounting Bracket (White/Black Powder Coated), \$2 each
2. Large Endcap & Plastic Endcap Cover
3. Small Endcap & Plastic Endcap Cover
4. Spring Loaded Idler End
5. Clutch
6. Slat Bar—1 5/8" Sealed Hem Pocket
7. Bead Chain
8. Spring Loaded Bead Chain Hold Down
9. Aluminum Fascia Panel
10. Large Aluminum Fascia Panel



# Clutch FlexShade® Fabrics

## Headbox/Fascia Prices for Clutch FlexShade (all fabrics)

CLOTH WIDTH	31"	36"	42"	45"	48"	54"	60"	63"	72"	84"	98"	108"	120"	132"	144"
<b>Small Fascia</b>	\$34	\$36	\$38	\$39	\$40	\$43	\$46	\$47	\$52	\$58	\$65	\$75	\$81	\$87	\$93
<b>Large Fascia</b>	41	43	45	47	50	52	56	64	64	72	81	92	100	108	116
<b>Small Headbox</b>	76	78	89	90	95	102	106	112	122	136	151	162	176	189	203
<b>Large Headbox</b>	94	100	111	114	121	131	137	145	160	180	203	219	239	258	277
<b>Dual Roller with Fascia¹</b>	70	75	80	83	86	92	98	100	109	120	134	—	—	—	—

¹Some height restrictions apply to Dual Roller with Fascia. Contact Draper for details.

Sizes below black line require seams. — Sizes in green require large fascia/headbox. All others use small fascia/headbox.

Spring Assist is an optional upgrade on sizes that do not include it for an additional \$64. For more details visit the Draper PRO Portal: [Draperinc.com/DraperPro](https://www.draperinc.com/DraperPro)

## SB9000/SB9100— SB9100 sizes larger than 72" wide will have seams.

CLOTH WIDTH	36"	45"	54"	63"	72"	84"	96"	108"	120"	132"	144"
36"	\$115	\$132	\$142 <sup>^</sup>	\$153 <sup>^</sup>	\$162 <sup>^</sup>	\$219 <sup>^</sup>	\$228 <sup>^</sup>	\$286 <sup>^</sup>	\$296 <sup>^</sup>	\$436 <sup>^</sup>	\$440 <sup>^</sup>
42"	119	138	147 <sup>^</sup>	160 <sup>^</sup>	170 <sup>^</sup>	233 <sup>^</sup>	242 <sup>^</sup>	303 <sup>^</sup>	314 <sup>^</sup>	437 <sup>^</sup>	441 <sup>^</sup>
48"	123	143	154 <sup>^</sup>	167 <sup>^</sup>	178 <sup>^</sup>	247 <sup>^</sup>	255 <sup>^</sup>	320 <sup>^</sup>	330 <sup>^</sup>	455 <sup>^</sup>	461 <sup>^</sup>
54"	127	150	159 <sup>^</sup>	173 <sup>^</sup>	184 <sup>^</sup>	260 <sup>^</sup>	292 <sup>^</sup>	336 <sup>^</sup>	346 <sup>^</sup>	467 <sup>^</sup>	474 <sup>^</sup>
60"	131	155	166 <sup>^</sup>	181 <sup>^</sup>	192 <sup>^</sup>	274 <sup>^</sup>	306 <sup>^</sup>	354 <sup>^</sup>	364 <sup>^</sup>	468 <sup>^</sup>	475 <sup>^</sup>
66"	135	160	172 <sup>^</sup>	187 <sup>^</sup>	199 <sup>^</sup>	288 <sup>^</sup>	319 <sup>^</sup>	371 <sup>^</sup>	381 <sup>^</sup>	499 <sup>^</sup>	503 <sup>^</sup>
72"	140	166	178 <sup>^</sup>	194 <sup>^</sup>	207 <sup>^</sup>	301 <sup>^</sup>	333 <sup>^</sup>	387 <sup>^</sup>	397 <sup>^</sup>	516 <sup>^</sup>	519 <sup>^</sup>
78"	145	174	186	202 <sup>^</sup>	215 <sup>^</sup>	317 <sup>^</sup>	348 <sup>^</sup>	407 <sup>^</sup>	417 <sup>^</sup>	535 <sup>^</sup>	538 <sup>^</sup>
84"	150	180	192	210 <sup>^</sup>	223 <sup>^</sup>	330 <sup>^</sup>	362 <sup>^</sup>	424 <sup>^</sup>	434 <sup>^</sup>	552 <sup>^</sup>	555 <sup>^</sup>
90"	154	185	198	216 <sup>^</sup>	231 <sup>^</sup>	344 <sup>^</sup>	376 <sup>^</sup>	440 <sup>^</sup>	450 <sup>^</sup>	569 <sup>^</sup>	572 <sup>^</sup>
96"	158	191	204	223 <sup>^</sup>	237 <sup>^</sup>	358 <sup>^</sup>	389 <sup>^</sup>	457 <sup>^</sup>	467 <sup>^</sup>	586 <sup>^</sup>	589 <sup>^</sup>
108"	167	202	216	237 <sup>^</sup>	252 <sup>^</sup>	385 <sup>^</sup>	417 <sup>^</sup>	601 <sup>^</sup>	611 <sup>^</sup>	674 <sup>^</sup>	677 <sup>^</sup>
120"	178	216	232	253 <sup>^</sup>	269 <sup>^</sup>	415 <sup>^</sup>	448 <sup>^</sup>	639 <sup>^</sup>	649 <sup>^</sup>	1,136 <sup>^</sup>	1,139 <sup>^</sup>
132"	186	228	243	267 <sup>^</sup>	285 <sup>^</sup>	463 <sup>^</sup>	475 <sup>^</sup>	672 <sup>^</sup>	682 <sup>^</sup>	1,138 <sup>^</sup>	1,141 <sup>^</sup>
144"	195	239	255	281 <sup>^</sup>	299 <sup>^</sup>	490 <sup>^</sup>	503 <sup>^</sup>	706 <sup>^</sup>	716 <sup>^</sup>	1,322 <sup>^</sup>	1,325 <sup>^</sup>

<sup>^</sup>Spring Assist Available

\*Spring Assist Required/Included

See Draper Online for specific recommendations.

## Opaque Fabrics

CLOTH WIDTH	36"	42"	48"	55"	59"	72"	84"	96"	108"	118"	132"	144"
36"	\$199	\$204 <sup>^</sup>	\$208 <sup>^</sup>	\$213 <sup>^</sup>	\$215 <sup>^</sup>	\$333 <sup>^</sup>	\$342 <sup>^</sup>	\$349 <sup>^</sup>	\$385 <sup>^</sup>	\$394 <sup>^</sup>	\$657 <sup>^</sup>	\$680 <sup>^</sup>
42"	215	220	223 <sup>^</sup>	229 <sup>^</sup>	232 <sup>^</sup>	363 <sup>^</sup>	372 <sup>^</sup>	381 <sup>^</sup>	415 <sup>^</sup>	424 <sup>^</sup>	657 <sup>^</sup>	681 <sup>^</sup>
48"	231	235	239 <sup>^</sup>	245 <sup>^</sup>	248 <sup>^</sup>	394 <sup>^</sup>	402 <sup>^</sup>	411 <sup>^</sup>	445 <sup>^</sup>	454 <sup>^</sup>	658 <sup>^</sup>	682 <sup>^</sup>
54"	247	251	254 <sup>^</sup>	261 <sup>^</sup>	263 <sup>^</sup>	424 <sup>^</sup>	432 <sup>^</sup>	464 <sup>^</sup>	476 <sup>^</sup>	601 <sup>^</sup>	974 <sup>^</sup>	1,049 <sup>^</sup>
60"	263	266	270	276 <sup>^</sup>	279 <sup>^</sup>	454 <sup>^</sup>	464 <sup>^</sup>	494 <sup>^</sup>	507 <sup>^</sup>	631 <sup>^</sup>	975 <sup>^</sup>	1,050 <sup>^</sup>
66"	278	282	287	292 <sup>^</sup>	294 <sup>^</sup>	485 <sup>^</sup>	494 <sup>^</sup>	524 <sup>^</sup>	537 <sup>^</sup>	663 <sup>^</sup>	976 <sup>^</sup>	1,051 <sup>^</sup>
72"	294	297	302	307 <sup>^</sup>	310 <sup>^</sup>	516 <sup>^</sup>	524 <sup>^</sup>	555 <sup>^</sup>	567 <sup>^</sup>	693 <sup>^</sup>	977 <sup>^</sup>	1,052 <sup>^</sup>
78"	312	316	319	326 <sup>^</sup>	328 <sup>^</sup>	548 <sup>^</sup>	557 <sup>^</sup>	587 <sup>^</sup>	600 <sup>^</sup>	725 <sup>^</sup>	980 <sup>^</sup>	1,056 <sup>^</sup>
84"	328	331	335	341 <sup>^</sup>	344 <sup>^</sup>	578 <sup>^</sup>	587 <sup>^</sup>	617 <sup>^</sup>	630 <sup>^</sup>	755 <sup>^</sup>	981 <sup>^</sup>	1,057 <sup>^</sup>
90"	343	347	351	357 <sup>^</sup>	359 <sup>^</sup>	609 <sup>^</sup>	617 <sup>^</sup>	648 <sup>^</sup>	660 <sup>^</sup>	786 <sup>^</sup>	982 <sup>^</sup>	1,058 <sup>^</sup>
96"	359	362	367	372 <sup>^</sup>	375 <sup>^</sup>	639 <sup>^</sup>	648 <sup>^</sup>	679 <sup>^</sup>	692 <sup>^</sup>	817 <sup>^</sup>	983 <sup>^</sup>	1,059 <sup>^</sup>
108"	390	395	398	404 <sup>^</sup>	407 <sup>^</sup>	700 <sup>^</sup>	709 <sup>^</sup>	739 <sup>^</sup>	752 <sup>^</sup>	877 <sup>^</sup>	984 <sup>^</sup>	1,060 <sup>^</sup>
120"	425	429	432	439 <sup>^</sup>	441 <sup>^</sup>	764 <sup>^</sup>	773 <sup>^</sup>	803 <sup>^</sup>	826 <sup>^</sup>	941 <sup>^</sup>	1,415 <sup>^</sup>	1,517 <sup>^</sup>
132"	456	461	464	470 <sup>^</sup>	472 <sup>^</sup>	825 <sup>^</sup>	854 <sup>^</sup>	864 <sup>^</sup>	887 <sup>^</sup>	1,003 <sup>^</sup>	1,416 <sup>^</sup>	1,519 <sup>^</sup>
144"	488	492	495	502 <sup>^</sup>	504 <sup>^</sup>	886 <sup>^</sup>	914 <sup>^</sup>	925 <sup>^</sup>	1,048 <sup>^</sup>	1,063 <sup>^</sup>	1,419 <sup>^</sup>	1,520 <sup>^</sup>

<sup>^</sup>Spring Assist Available

\*Spring Assist Required/Included

## Flocké— Opaque. For 1% Vizela fabric, multiply price below by 0.77.

CLOTH WIDTH	36"	42"	47"	54"	60"	72"	84"	94"	108"	120"	132"	144"
36"	\$280	\$285 <sup>^</sup>	\$288 <sup>^</sup>	\$481 <sup>^</sup>	\$485 <sup>^</sup>	\$494 <sup>^</sup>	\$503 <sup>^</sup>	\$509 <sup>^</sup>	\$653 <sup>^</sup>	\$717 <sup>^</sup>	\$908 <sup>^</sup>	\$953 <sup>^</sup>
42"	307	310 <sup>^</sup>	314 <sup>^</sup>	534 <sup>^</sup>	538 <sup>^</sup>	546 <sup>^</sup>	556 <sup>^</sup>	562 <sup>^</sup>	1,138 <sup>^</sup>	1,253 <sup>^</sup>	1,495 <sup>^</sup>	1,592 <sup>^</sup>
48"	333	337 <sup>^</sup>	341 <sup>^</sup>	587 <sup>^</sup>	590 <sup>^</sup>	599 <sup>^</sup>	607 <sup>^</sup>	614 <sup>^</sup>	1,139 <sup>^</sup>	1,254 <sup>^</sup>	1,496 <sup>^</sup>	1,593 <sup>^</sup>
54"	360	364 <sup>^</sup>	368 <sup>^</sup>	639 <sup>^</sup>	643 <sup>^</sup>	651 <sup>^</sup>	660 <sup>^</sup>	688 <sup>^</sup>	1,140 <sup>^</sup>	1,373 <sup>^</sup>	1,497 <sup>^</sup>	1,595 <sup>^</sup>
60"	387	391	395 <sup>^</sup>	692 <sup>^</sup>	695 <sup>^</sup>	704 <sup>^</sup>	712 <sup>^</sup>	741 <sup>^</sup>	1,141 <sup>^</sup>	1,374 <sup>^</sup>	1,498 <sup>^</sup>	1,596 <sup>^</sup>
66"	414	417	421 <sup>^</sup>	744 <sup>^</sup>	748 <sup>^</sup>	756 <sup>^</sup>	765 <sup>^</sup>	793 <sup>^</sup>	1,142 <sup>^</sup>	1,375 <sup>^</sup>	1,500 <sup>^</sup>	1,597 <sup>^</sup>
72"	440	444	448 <sup>^</sup>	796 <sup>^</sup>	800 <sup>^</sup>	808 <sup>^</sup>	817 <sup>^</sup>	846 <sup>^</sup>	1,143 <sup>^</sup>	1,376 <sup>^</sup>	1,501 <sup>^</sup>	1,598 <sup>^</sup>
78"	469	472	477 <sup>^</sup>	850 <sup>^</sup>	855 <sup>^</sup>	862 <sup>^</sup>	872 <sup>^</sup>	900 <sup>^</sup>	1,146 <sup>^</sup>	1,377 <sup>^</sup>	1,502 <sup>^</sup>	1,601 <sup>^</sup>
84"	496	499	503 <sup>^</sup>	903 <sup>^</sup>	907 <sup>^</sup>	915 <sup>^</sup>	924 <sup>^</sup>	953 <sup>^</sup>	1,147 <sup>^</sup>	1,379 <sup>^</sup>	1,503 <sup>^</sup>	1,602 <sup>^</sup>
90"	522	526	530 <sup>^</sup>	955 <sup>^</sup>	960 <sup>^</sup>	967 <sup>^</sup>	977 <sup>^</sup>	1,005 <sup>^</sup>	1,147 <sup>^</sup>	1,379 <sup>^</sup>	1,503 <sup>^</sup>	1,602 <sup>^</sup>
96"	549	553	557 <sup>^</sup>	1,008 <sup>^</sup>	1,011 <sup>^</sup>	1,020 <sup>^</sup>	1,029 <sup>^</sup>	1,058 <sup>^</sup>	1,147 <sup>^</sup>	1,379 <sup>^</sup>	1,503 <sup>^</sup>	1,602 <sup>^</sup>
108"	602	606	610 <sup>^</sup>	1,113 <sup>^</sup>	1,116 <sup>^</sup>	1,125 <sup>^</sup>	1,133 <sup>^</sup>	1,163 <sup>^</sup>	1,147 <sup>^</sup>	1,379 <sup>^</sup>	1,503 <sup>^</sup>	1,602 <sup>^</sup>
120"	659	663	667 <sup>^</sup>	1,221 <sup>^</sup>	1,224 <sup>^</sup>	1,233 <sup>^</sup>	1,241 <sup>^</sup>	1,271 <sup>^</sup>	1,147 <sup>^</sup>	1,379 <sup>^</sup>	1,503 <sup>^</sup>	1,602 <sup>^</sup>
132"	712	717	720 <sup>^</sup>	1,326 <sup>^</sup>	1,329 <sup>^</sup>	1,338 <sup>^</sup>	1,367 <sup>^</sup>	1,375 <sup>^</sup>				